

# BOSTON SERIES 2

IP65

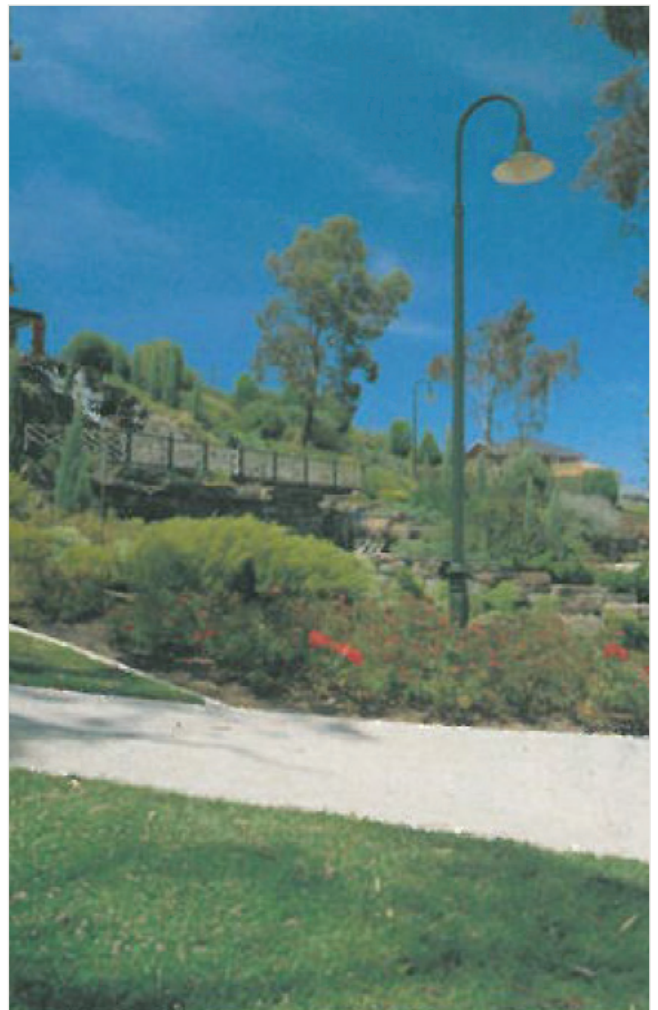
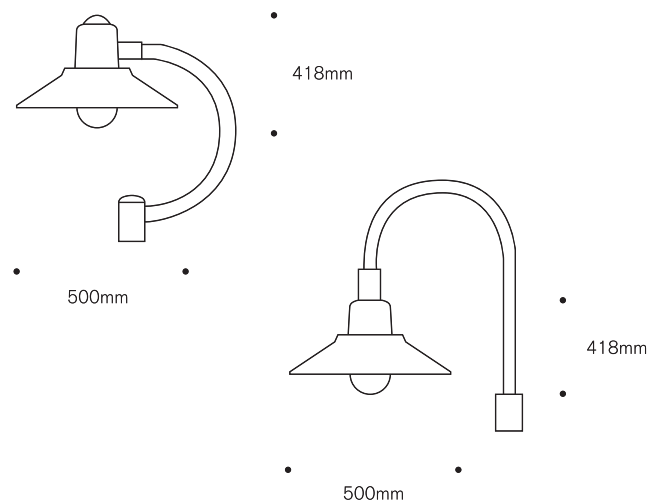


**Boston SE**



**Boston TE**

## PRODUCT DIMENSIONS



## FEATURES

- Traditional shape lanterns suitable for older urban areas and streetscapes
- The lantern reflector design eliminates unwanted upward light, providing higher illumination at ground level
- Optics in the standard lantern consists of a moulded clear acrylic diffuser
- Optional refractors available for asymmetric and symmetric lighting distribution
- Lantern body canopy is made from spun aluminium and painted with ASG11 green finish
- Option of two post top mounting brackets if required: Boston – side entry, Boston – top entry
- Control gear is integrally mounted to suit lamps up to 125W
- Standard lanterns are integrally ballasted

## APPLICATIONS

- Suburban roads
- Walkways
- Driveways
- Shopping Malls
- School Grounds
- Parklands